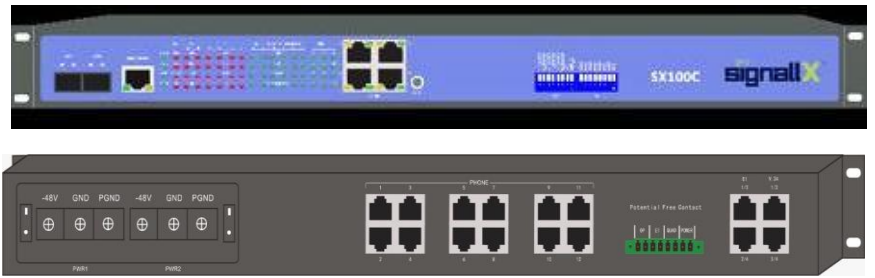


SIGNALL X - SX100C is a PCM multiplexer developed by Dev Inc, achieves transferring FXS, FXO, MAG, 2/4W audio, EM 2/4W, V.24, RS485 through optic paths or E1 uplink paths. SIGNALL X - SX100C has been widely used in transmission networks of railway network.



- ◆ 1U height, 19 inch chassis, can be installed in a standard 19 inch chassis.
- ◆ Provide 2 optical uplink ports, LC type, 155M.
- ◆ Provide 4 E1 uplink ports, 75 ohm and 120 ohm are optional.
- ◆ 4 E1 support 4 directions without protection or 2 directions with 1+1 path protection in each direction.
- ◆ 64K cross-connection capability: 256x256.
- ◆ Support optical paths and E1 path protection, except for Ethernet data.
- ◆ E1 specifications comply with ITU-T G.703 and G.742 standards.
- ◆ Provide up to 32 paths FXS, FXO, MAG, 2/4W audio, or 8 paths of EM2/4W.
- ◆ 8 paths RS232 and 8 paths RS485 are optional.
- ◆ FXS card provides individual ringing signaling which is more stable.
- ◆ Provide abundant alarm indicators.
- ◆ Support Network Management Software.
- ◆ AC and DC power supplier are optional, support 1+1 protection.
- ◆ Supports Passive Changeover
- ◆ MTBF : 100,000 Hours

# Application Topologies

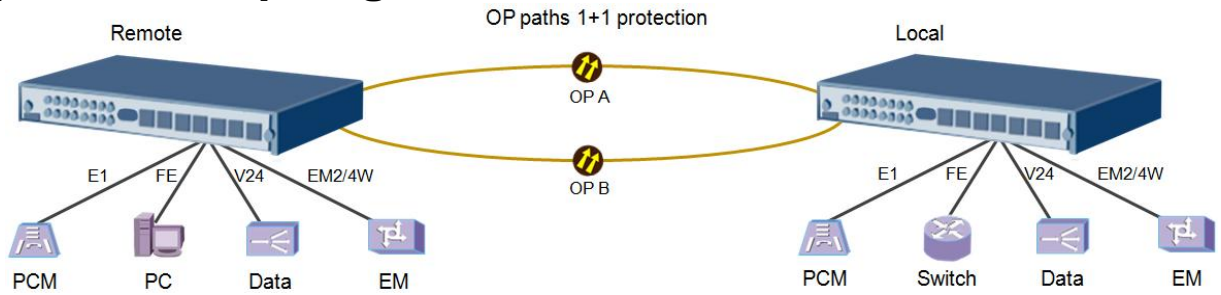


Figure Error! No text of specified style in document.-1 Point to Point with OP 1+1

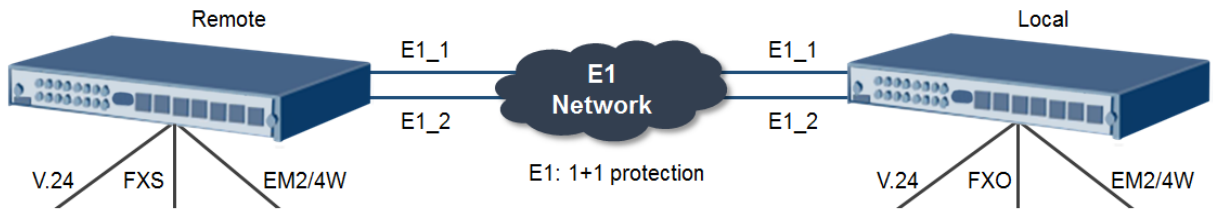


Figure Error! No text of specified style in document.-2 Point to Point with E1 1+1

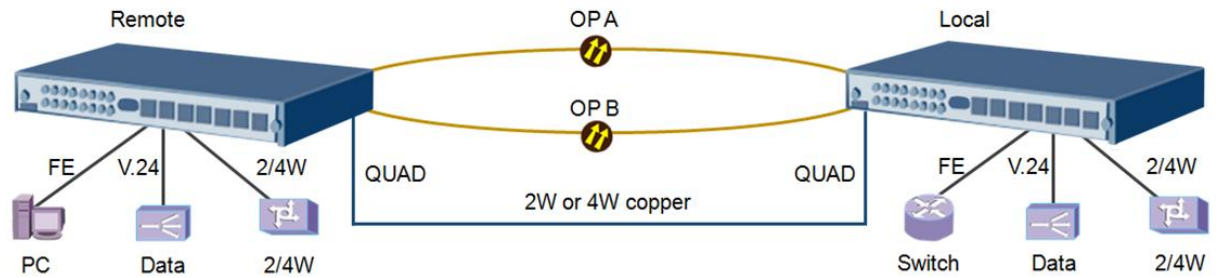
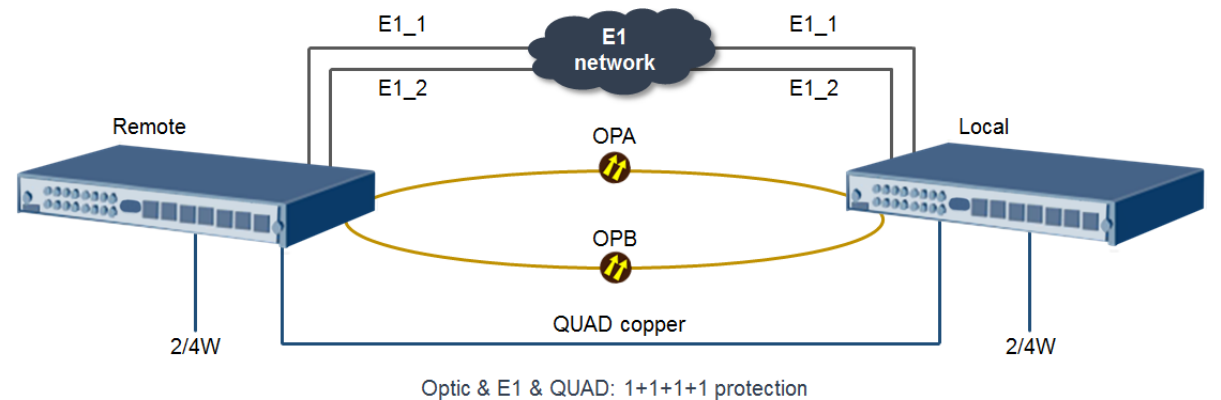


Figure Error! No text of specified style in document.-3 Point to Point with QUAD Protection



Optic & E1 & QUAD: 1+1+1+1 protection

Figure Error! No text of specified style in document.-4 Point to Point with Multiple Protection

# Interface Description

Table-1 Interface Description

Name	Port	Description	Remark
OPA & OPB	LC	Optical ports	155M
Phone 1~32	RJ45	FXO、FXS、MAG、Audio 2/4、EM2/4W	Voice
Ethernet 1~8	RJ45	Sharing 100M bandwidth	Transferred through OP
V.24/RS485 1~8	RJ45	V.24、RS485	Optional
E1 (120Ω) 1~4	RJ45	120Ω E1	Optional
E1 (75Ω) 1~4	BNC	75Ω E1	
PWR1	Power input	DC、AC	Support 1+1
PWR2			
EMU	RJ45	Management	

NOTE: Only when the corresponding embedded card is inserted, the corresponding interface can be used. And it is not allowed to modify embedded card on site.

# Card List

Table-2 Card list

Type	Model number	Description	Remark
Power supplier	M1UA-PAC220	AC220V input	At least select one.
	M1UA-PDC48	DC-48V input	Support 1+1 protection.
E1 card	CARD-4E1-75	4xE1、75Ω、BNC	Select any one of them.
	CARD-4E1-120	4xE1、120Ω、RJ45	
ETH card	CARD_SW4	4xFE sharing 100M	At most select one.
	CARD_SW8	8xFE sharing 100M	ETH transferred through OP.
Voice card 8 slots in total.	CARD-FXO-4	4×FXO	At most select 8 FXO, FXS, MAG and 2/4W card.
	CARD-FXS-4	4×FXS	
	CARD-MAG-4	4×MAG	
	CARD-2/4W-4	4×2/4W without E&M	Each of them occupies one embedded slot.
	CARD-EM2/4W-4	4×EM2/4W with E&M	At most select 2 EM2/4W card. Each card occupies two embedded slots.
Quad Ports	CARD-2/4W-4	4×2/4W quad ports	Supports passive changeover
PFC	PFC-4	Potential Free contact	Support data logger
Data card	CARD-V24-2	2×V.24、Asyn., RJ45	At most select 4 data card with the same model number.
	CARD-RS485-2	2×RS485、RJ45	

## Specifications

Table-3 Specifications

Type	Specification	
Environment	Working temperature	-5°C ~ 55°C
	Storage temperature	-40°C ~ 70°C
	Humidity	< 95% (non-condensation)
	Air pressure	86 ~ 106Kpa
Power supplier	DC	DC-36V ~ DC-72V
	AC	AC165V ~ AC260V
Chassis	Consumption	Less than 25W
	W×H×D	483mm × 44mm × 350mm (19-inch, 1U)
	Weight	6.5KG
Capability	MAX uplink	2 OP plus 4 E1
	MAX voice	32 paths of FXS、FXO、MAG、2/4W audio; Or 8 paths of EM2/4W.
	MAX data	8 V.24 or 8 RS485
Device IP	IP: 192.168.1.100      Gateway: 192.168.1.1	